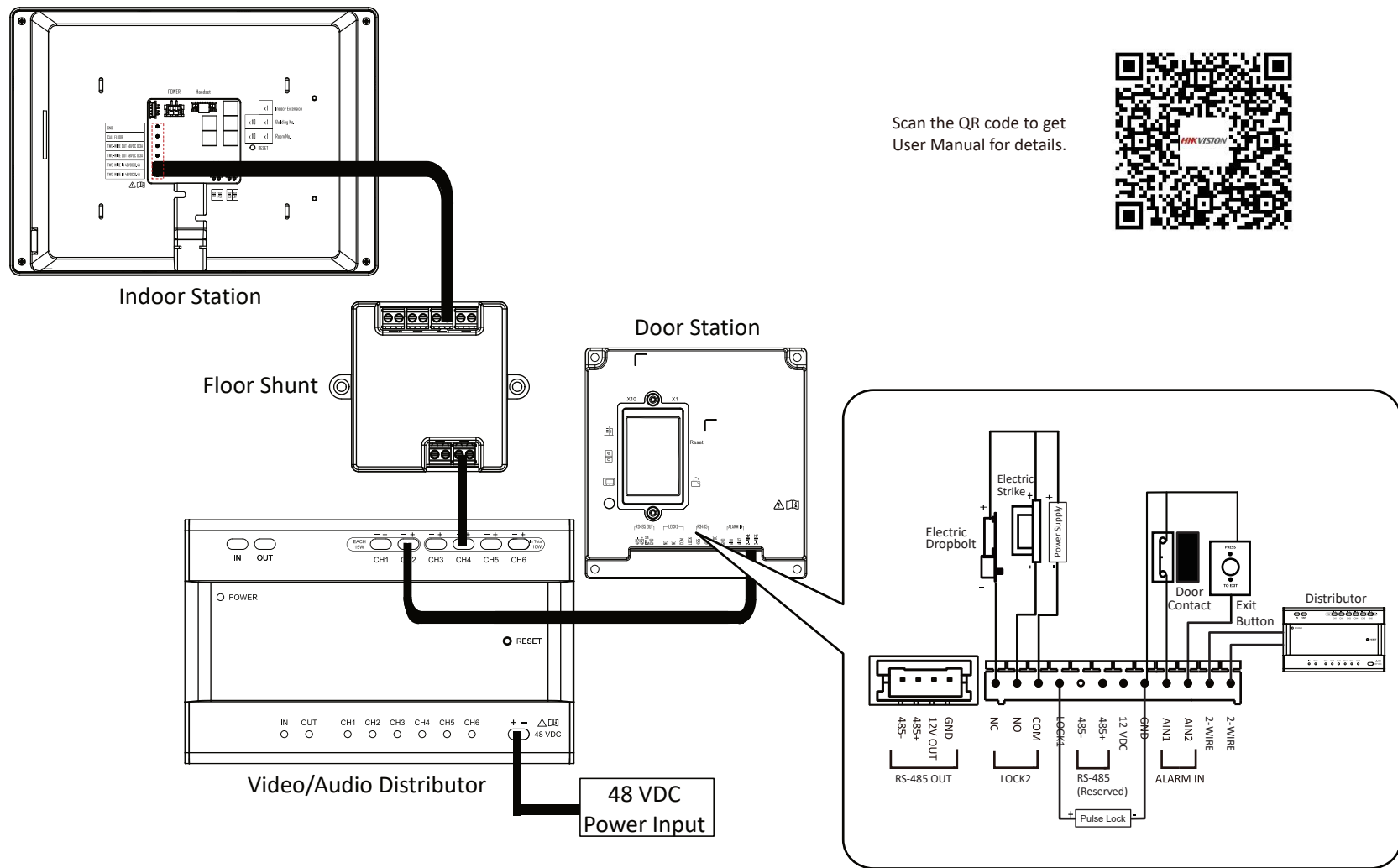




## 2.2 Wiring



### Cable Type Description

Cable Type	DS-KAD7061 to DS-KAD7061	DS-KAD7061 to Main Indoor Station	Indoor Station to Indoor Station	DS-KAD7061 to DS-KAD7060	DS-KAD7060 to Power Module/DS-KAD7060-S	DS-DS-KAD7060 to Door Station	Door Station to Lock (Power Supply)
UTP 5 0.2 mm 2 (Cat.5) AWG24	60 m	60 m	60 m	60 m	100 m	60 m	NA
0.28 mm 2 (TP) AWG23	60 m	40 m	40 m	40 m	80 m	40 m	30 m
0.5 mm 2 (parallel) AWG20	60 m	60 m	60 m	60 m	100 m	60 m	50 m
1 mm 2 (parallel) AWG17	60 m	60 m	60 m	60 m	100 m	60 m	50 m
1 mm 2 (TP) AWG17	60 m	40 m	40 m	40 m	80 m	40 m	100m
1 mm 2 (parallel) AWG15	60 m	40 m	60 m	60 m	100 m	60 m	100 m

## 3 Installation

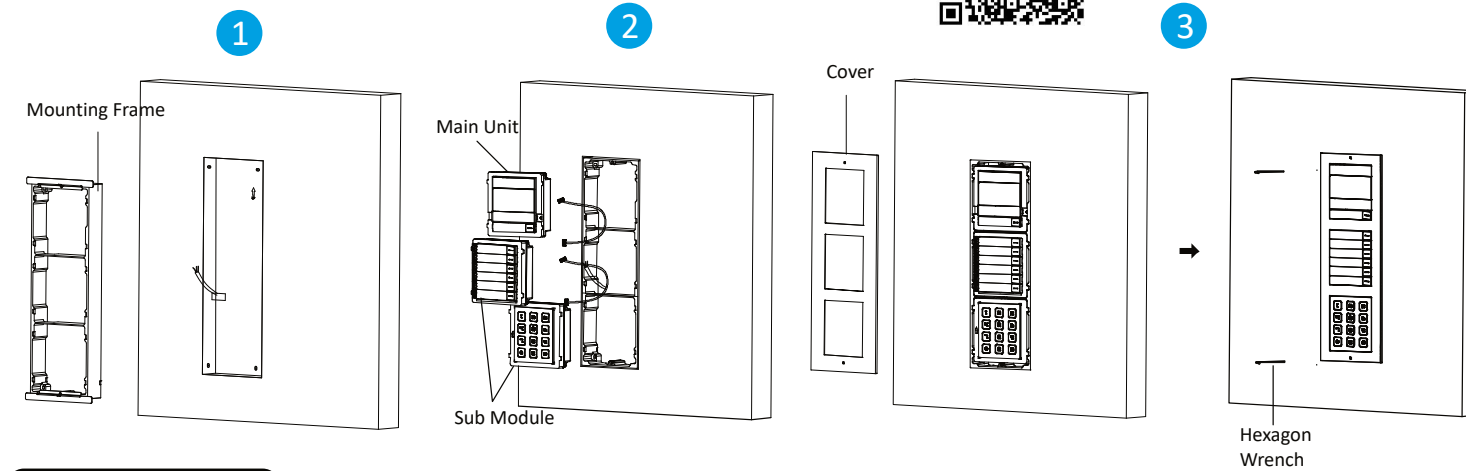
Note: Video intercom module door station supports one-module installation, two-module installation, three-module installation. Here takes three-module installation as an example.

### Before You Start

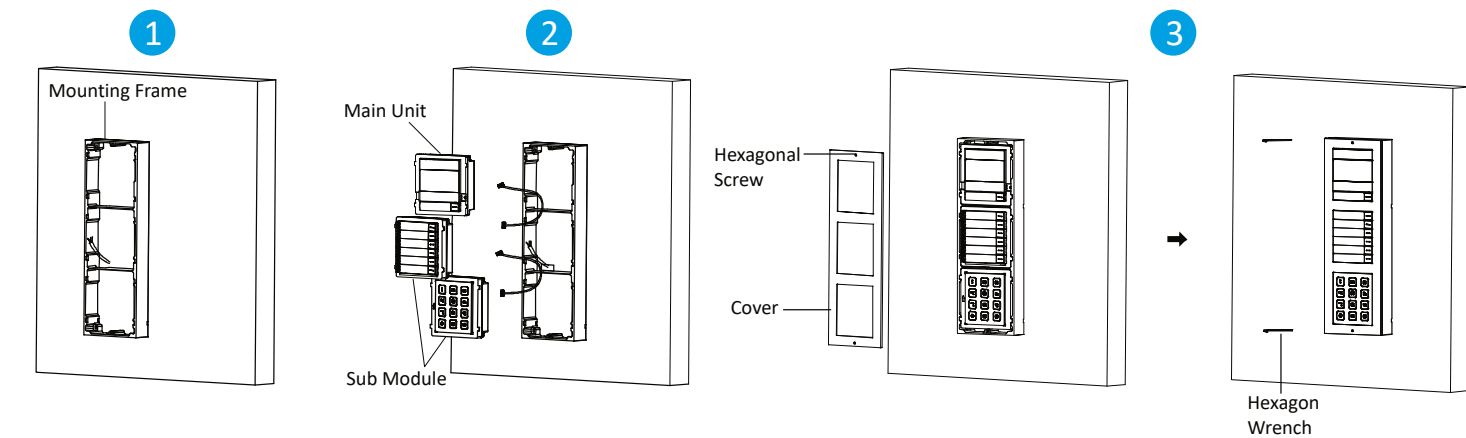
- Tools that you need to prepare for installation: Drill(6), cross screw driver (PH1\*150mm), and gradienter.
- Make sure all related equipments are power-off during the installation.
- Make sure you have configured the sub module address before installation. Valid sub module address ranges from 1 to 20. The No. should be unique for sub modules that connected to the same door station. The sub module address and corresponding DIP switch status is shown as the figure shown.

Sub Module No.	DIP Switch 1	DIP Switch 2	DIP Switch 3	DIP Switch 4	DIP Switch 5	DIP Switch 6	DIP Switch 7	DIP Switch 8
Module 1	ON	OFF	OFF	OFF	OFF	OFF	OFF	OFF
Module 2	OFF	ON	OFF	OFF	OFF	OFF	OFF	OFF
Module 3	ON	ON	OFF	OFF	OFF	OFF	OFF	OFF
Module 4	OFF	OFF	ON	OFF	OFF	OFF	OFF	OFF
Module 5	ON	OFF	ON	OFF	OFF	OFF	OFF	OFF
Module 6	OFF	ON	ON	OFF	OFF	OFF	OFF	OFF
Module 7	ON	ON	ON	OFF	OFF	OFF	OFF	OFF
Module 8	OFF	OFF	OFF	ON	OFF	OFF	OFF	OFF

### Flush Mounting



### Surface Mounting



## 4 Configuration

### 1. Configuration and Management via Mobile Web

#### Enable AP Mode→Login

- Long press the button on the left side of the device for 10 s to enable the AP mode.
- Connect your mobile devices to the device hotspot. Enter the device user name and AP password. Tap Login.

You can check the AP mode password (Access Code) via the label on the surface of the device.

### 2. Call Indoor Station from Door Station/Outer Door Station/Sub Door Station

- Set physical address for indoor station and door station/outer door station/sub door station via the rotary DIP switch.
- Connect the indoor station and door station/outer door station/sub door station.
- Call indoor station from door station/outer door station/sub door station.

For more details about the configuration, please refer to the *User Manual*.

### Installation Position

Recommended Installation Height (The distance between the camera and the ground): 1.4 m to 1.6 m  
 The FOV of the camera is : Horizontal: 133°, Vertical: 82°.  
 The highest visual height and lowest visual height of the camera is shown as picture.

